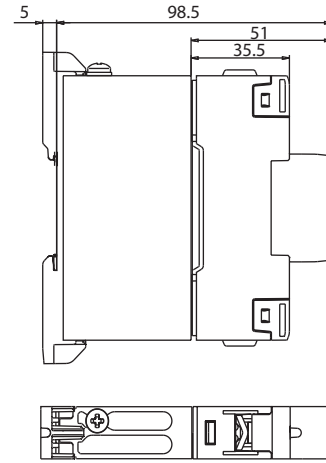
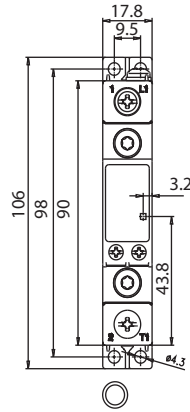
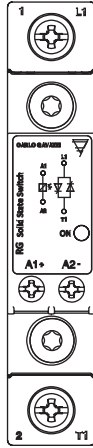
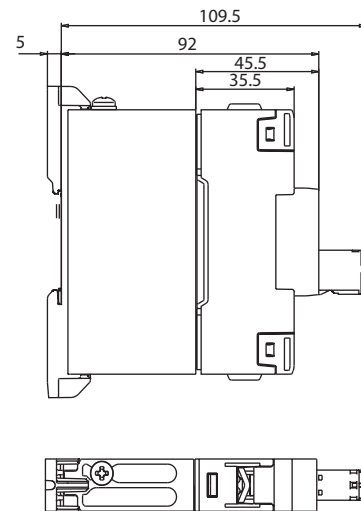
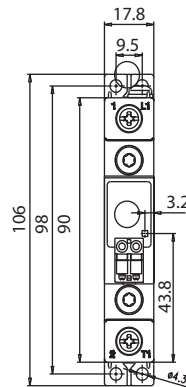
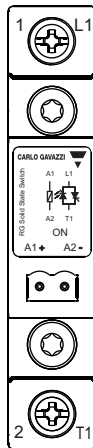


Terminal Layout and Dimensions

RGH1A...15KKE



RGH1A...15MKE

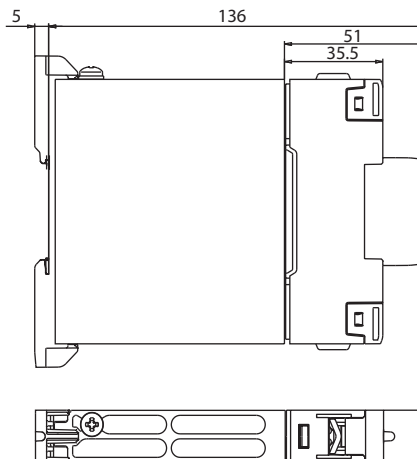
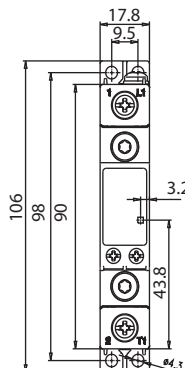
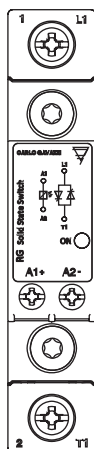


1/L1: Supply connection
 2/T1: Load connection
 A1 (+): Positive control signal
 A2 (-): Control ground

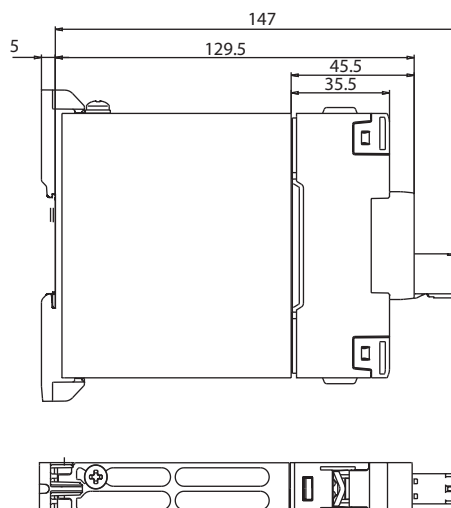
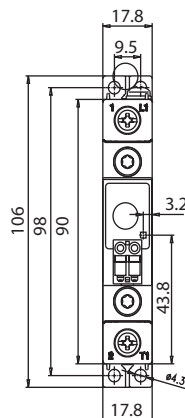
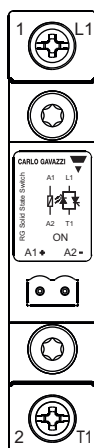
* Housing width tolerance +0.5mm, -0mm...as per DIN43880
 All dimensions in mm

Terminal Layout and Dimensions (cont.)

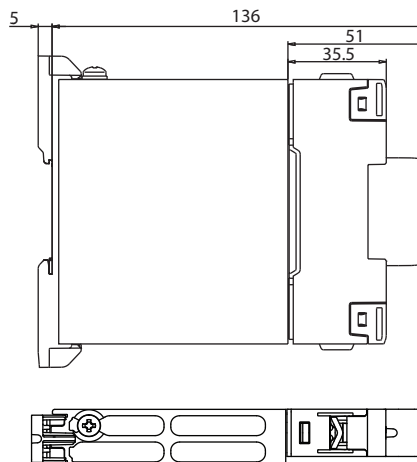
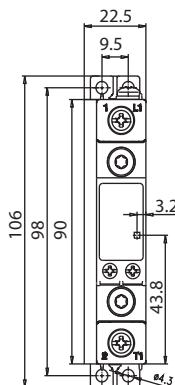
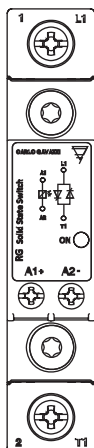
RGH1A...20KKE, RGH1A...21KKE



RGH1A...20MKE, RGH1A...21MKE



RGH1A...31KKE

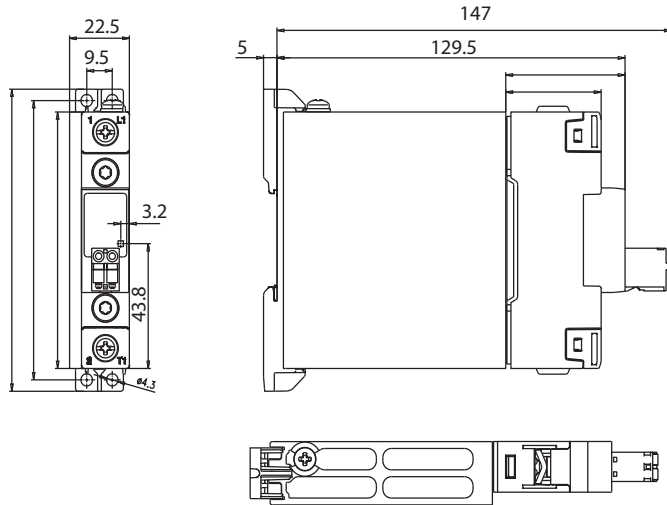


- 1/L1: Supply connection
- 2/T1: Load connection
- A1(+): Positive control signal
- A2(-): Control ground
- ⊕ : Protective earth

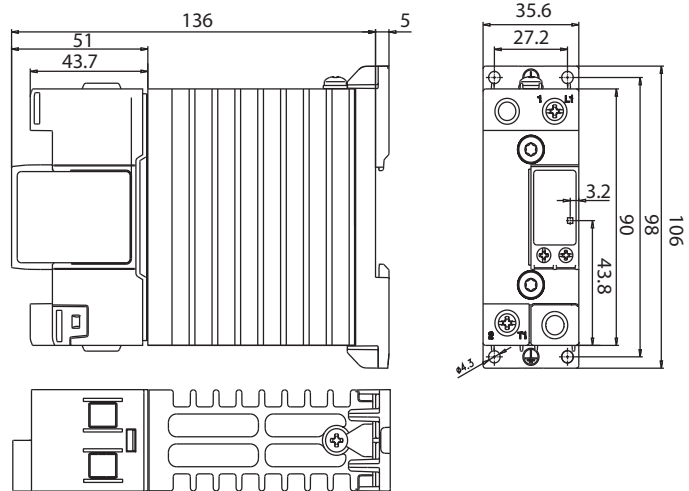
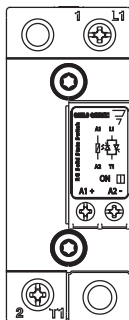
* Housing width tolerance +0.5mm, -0mm...as per DIN43880
All dimensions in mm

Terminal Layout and Dimensions (cont.)

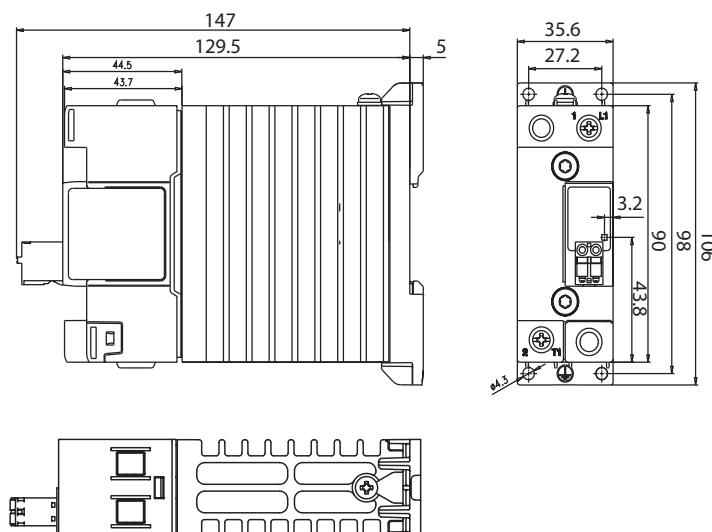
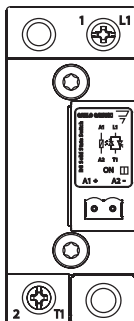
RGH1A...31MKE



RGH1A...40KGE, RGH1A...41KGE



RGH1A...41MGE

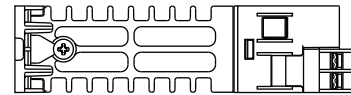
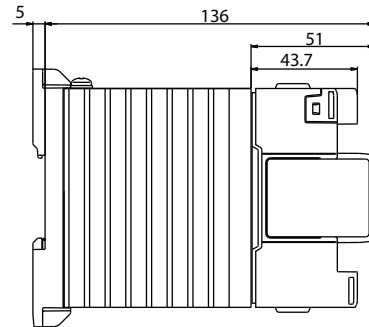
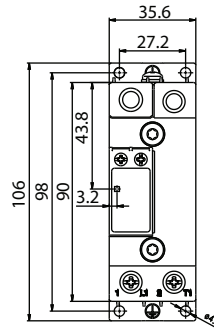
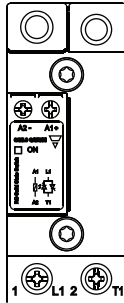


- 1/L1: Supply connection
- 2/T1: Load connection
- A1(+): Positive control signal
- A2(-): Control ground
- ⊕ : Protective earth

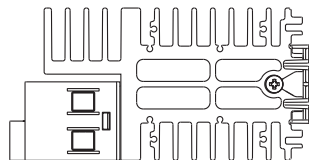
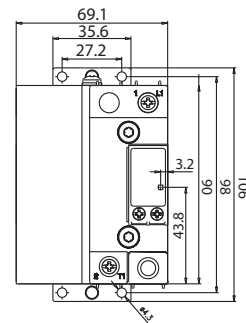
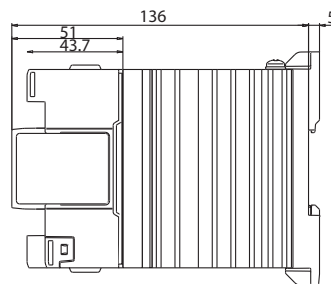
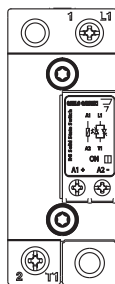
* Housing width tolerance +0.5mm, -0mm...as per DIN43880
All dimensions in mm

Terminal Layout and Dimensions (cont.)

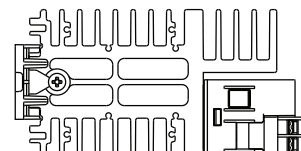
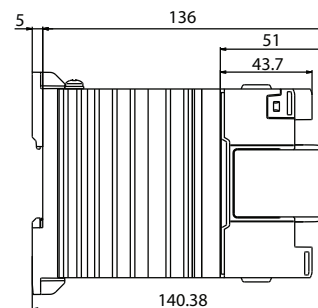
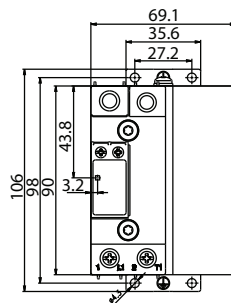
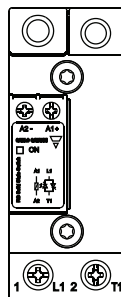
RGH1A...41KGU



RGH1A...60KGE



RGH1A...60KGU



- 1/L1: Supply connection
- 2/T1: Load connection
- A1(+): Positive control signal
- A2(-): Control ground
- ⊕ : Protective earth

* Housing width tolerance +0.5mm, -0mm...as per DIN43880
All dimensions in mm